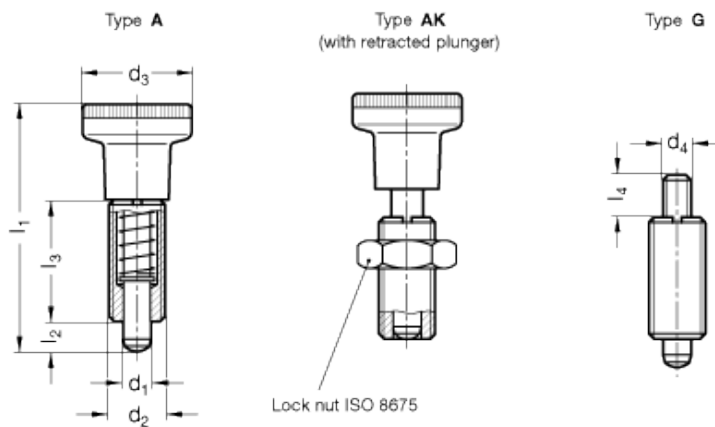


GN 613

Indexing plungers



technical informations

Threaded body
Black-oxide steel.

Plunger

Black-oxide steel with hardened end. Suggested matching hole in H7 tolerance.

Locking nut

Black-oxide steel.

"Push/Pull" knurled knob

High resilience polyamide based (PA) technopolymer, black colour, matte finish. Resistant to solvents, oils, greases and other chemical agents.

Standard versions available

- Version A: with knob, without locking nut.

- Version AK: with knob and locking nut, ISO 8675.
- Version G: without knob, without locking nut.
- Version GK: without knob, with locking nut, ISO 8675.

Version G and GK, without knob, are provided with threaded drive rod for combination with a knob on customer's request or to join the rod to an operating mechanism of the machine.

Applications

GN 613 indexing plungers are used where positioning operations are required.

Standard Elements	Main dimensions								Spring pressure in N \approx		Weight	Screw drive
Description	$d_1 -0.02/-0.04$	d_2	d_3	d_4	$l_1 \approx$	$l_2 \text{ min.}$	l_3	l_4	Preload	Max. load	g	Description
GN 613-5-A	5	M10x1	21	-	45	5	22	-	7	17	18	GN 613.1-5
GN 613-6-A	6	M12x1.5	25	-	54.5	6	26	-	9	24	29	GN 613.1-6
GN 613-8-A	8	M16x1.5	31	-	69	8	34	-	11	30	62	GN 613.1-8
GN 613-10-A	10	M20x1.5	31	-	80	10	43	-	19	45	92	GN 613.1-10
GN 613-5-AK	5	M10x1	21	-	45	5	22	-	7	17	25	GN 613.1-5
GN 613-6-AK	6	M12x1.5	25	-	54.5	6	26	-	9	24	38	GN 613.1-6
GN 613-8-AK	8	M16x1.5	31	-	69	8	34	-	11	30	82	GN 613.1-8
GN 613-10-AK	10	M20x1.5	31	-	80	10	43	-	19	45	127	GN 613.1-10
GN 613-5-G	5	M10x1	-	M5	-	5	22	6	7	17	14	GN 613.1-5
GN 613-6-G	6	M12x1.5	-	M6	-	6	26	10	9	24	27	GN 613.1-5
GN 613-8-G	8	M16x1.5	-	M8	-	8	34	12	11	30	59	GN 613.1-8
GN 613-10-G	10	M20x1.5	-	M8	-	10	43	12	19	45	86	GN 613.1-10
GN 613-5-GK	5	M10x1	-	M5	-	5	22	6	7	17	21	GN 613.1-5
GN 613-6-GK	6	M12x1.5	-	M6	-	6	26	10	9	24	37	GN 613.1-6
GN 613-8-GK	8	M16x1.5	-	M8	-	8	34	12	11	30	79	GN 613.1-8
GN 613-10-GK	10	M20x1.5	-	M8	-	10	43	12	19	45	121	GN 613.1-10



ELESA and GANTER models all rights reserved in accordance with the law. Always mention the source when reproducing our drawings.

STANDARD MACHINE ELEMENTS WORLDWIDE